

# EDGE MOUNT MANHOLE LEAD-IN CABLE LAYING ROLLER (HEAVY DUTY)

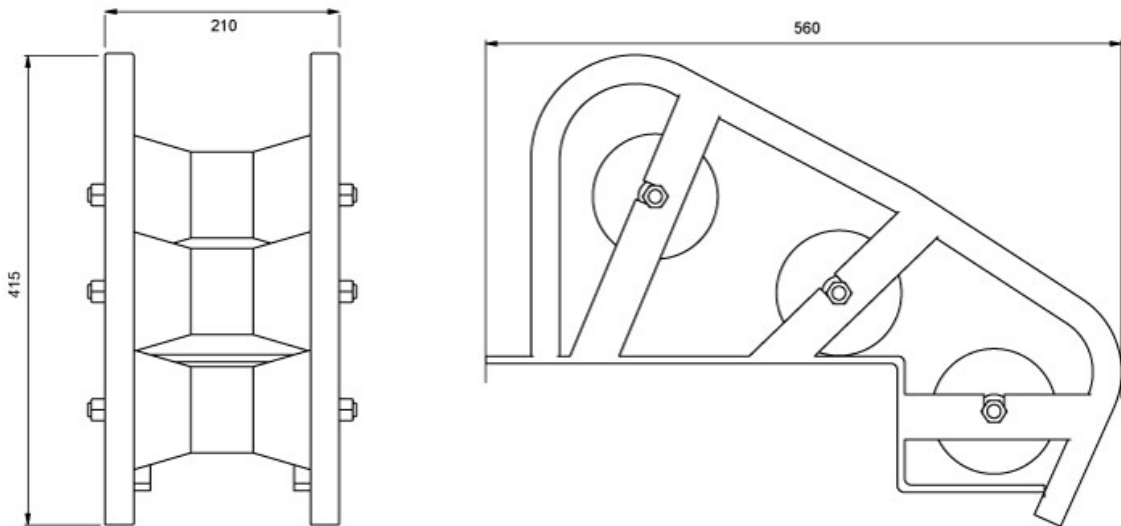


## KEY FEATURES

- ✓ Heavy duty tubular steel construction
- ✓ Suitable for cables up to 130mm
- ✓ 3 x 110mm diameter steel roller\* fitted with sealed precision roller bearings
- ✓ Zinc plated
- ✓ Weight: 10 Kg

The manhole cable roller leads the cable from the drum into the jointbox/manhole or the winch bond out of the manhole.

\* The Diablo Rollers can be substituted with a heavy gauge 89mm tubular Steel Roller fitted oil impregnated maintenance free bushes for use with the heavier cables.



Slingco Part No.	Base Footprint (mm)		Height (mm)	
ZGP8209	560 x 210		415	

Slingco Part No.	Base Footprint (in)		Height (in)	
ZGP8209	22 x 8.25		16.34	

Slingco Part No.	Base Footprint (in)	Base Footprint (mm)	Height (in)	Height (mm)
ZGP8209	22 x 8.25	560 x 210	16.34	415

This information is for marketing purposes only. The details contained herein is presented as general information and no representation or warranty is expressly or impliedly given as to its accuracy, completeness or correctness. It does not constitute part of a legal offer or contract. For technical specifications, please contact Slingco Australia Pty. Ltd

### Dimensions

The figures shown are indicative only. Fully dimensioned data-sheets are available on request. Nominal figures/actuals are as per data-sheet with tolerances of +/-10%. Please contact us if you have any questions.



L9, 1 York Street, Sydney, NSW 2000, Australia Sales: +61 3 8840 6556

## GET IN TOUCH

+61 3 8840 6556

sales@slingcoaustralia.com.au

# EDGE MOUNT MANHOLE LEAD-IN CABLE LAYING ROLLER (HEAVY DUTY)

**Range dimension overlaps** If the cable, rope or hose you have lies where ranges overlap, e.g. 1" when sizing is 0.5-1.00 and 1.00-1.5 we recommend that you select your cable grip to achieve break load first. If tensile strengths are equal or both adequate, choose the smaller of the two. Please contact us if you have any questions.



L9, 1 York Street, Sydney, NSW 2000, Australia Sales: +61 3 8840 6556

## GET IN TOUCH



+61 3 8840 6556



[sales@slingcoaustralia.com.au](mailto:sales@slingcoaustralia.com.au)