

BOLT CLAMPS, MOUNTING PLATES, BANDING AND ACCESSORIES

SAFETY & INFORMATION GUIDE

⚠ ATTENTION

DO NOT perform any service or maintenance on this tool other than described in this manual.

Read and follow the operator's manual before using this tool.

This manual should be kept available to all operating and maintenance personnel.

SAFETY INFORMATION & WARNINGS



Pinch Point Warning



Not an Insulated Product



Safety Goggles Required



Suspended Load
Warning



Hard Hat Required



Gloves Required

SPECIFICATIONS FOR HARDWARE AND BANDING

- Aluminum hardware extrusions are made up of 6061-T6 aluminum. This aluminum alloy gives Slingco components high strength and high resistance to corrosion. Slingco's minimum tensile strength is 38,000 PSI and 35,000 PSI minimum yield strength. This alloy conforms to ASTM B221.
- All Slingco pole hardware comes with ISO Grade 8.8, equivalent to SAE Grade 5, carriage bolt. They are in accordance with ASTM A-449.
- Slingco's stainless steel banding is provided in two sizes:
 - 3/4" width x 0.030" thickness
 - 1-1/4" width x 0.044" thickness

BOLT CLAMPS, MOUNTING PLATES, BANDING AND ACCESSORIES PART NUMBERS AND DESCRIPTIONS

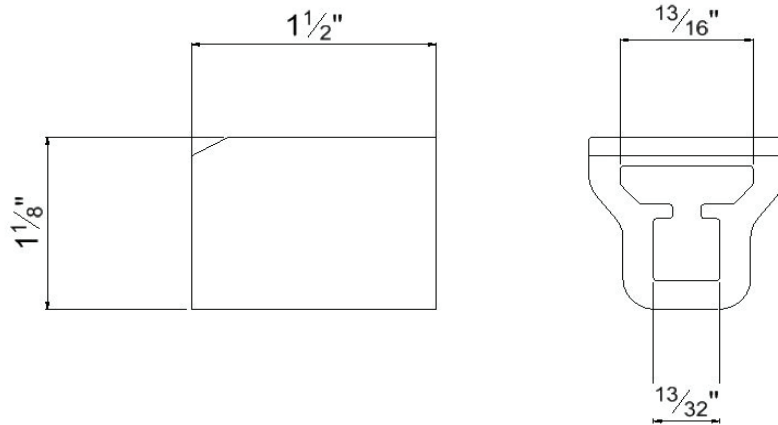
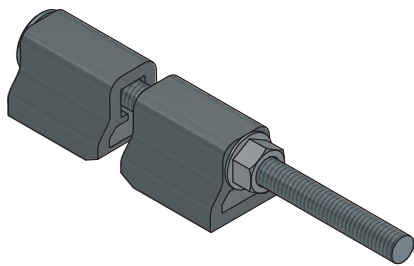


Slingco Part No.	Width (in)	Thickness (in)	Weight (lb)	Material	Pack Quantity
CPC08325	1/2	0.030	5.1	316	100' Roll Cardboard Tote
CPC0326	1/2	0.030	5.9	316	100' Roll Cardboard Tote
CPC8743	3/4	0.030	7.7	201	100' Roll Cardboard Tote
CPC8744	3/4	0.030	7.7	201	100' Red Plastic Tote
CPC8745	1-1/4	0.044	17.2	201	100' Blue Plastic Tote
CPC8747	1-1/4		3.2	201	Cardboard Box of 25 Buckles

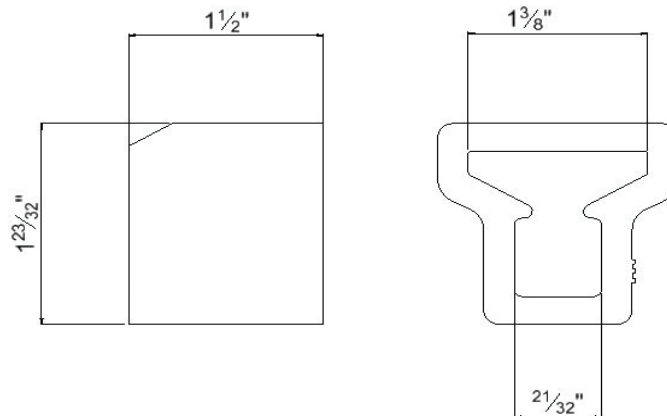
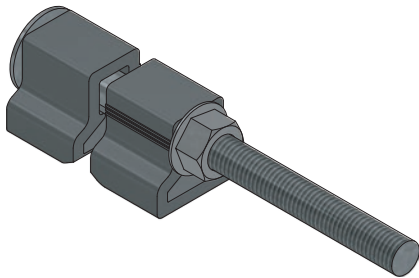
BOLT CLAMPS, MOUNTING PLATES, BANDING AND ACCESSORIES PART NUMBERS AND DESCRIPTIONS (continued)

Slingco Part No.	Weight (lb)	Pack Quantity	Description
ZPC10646	0.4	12 per box	3/4" Bolt Clamp
ZPC10647	1.2	12 per box	1-1/4" Bolt Clamp
ZPC10648	0.7	12 per box	Mounting Plate with 2" Bolt
ZPC10910	0.8	12 per box	Mounting Plate with 3" Bolt

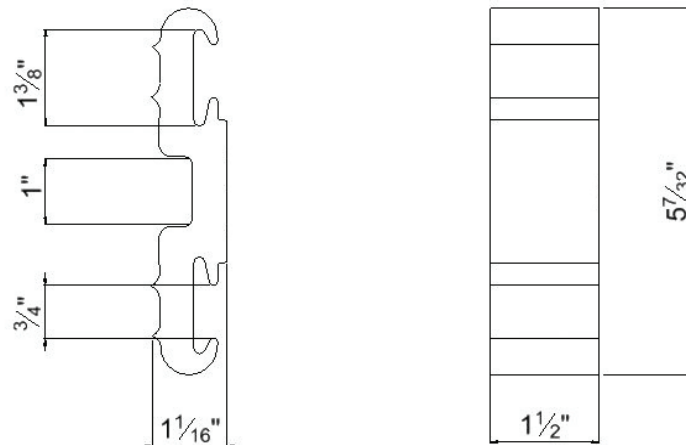
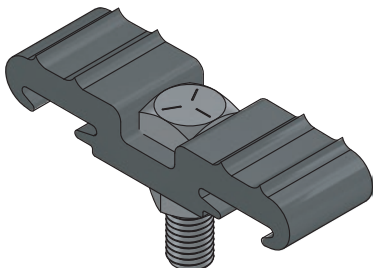
ZPC10646



ZPC10647



ZPC10648 / ZPC10910



PRE-ASSEMBLED EXTRUSIONS AND BANDING

Slingco Part No.	Pack Quantity	Included Banded Length (in)	Banding Width (in)	Material
ZPC10646-48	12	48	3/4	304
ZPC10646-72	12	72	3/4	304
ZPC10647-48	12	48	1-1/4	304
ZPC10647-72	12	72	1-1/4	304

Note: Banding provided with assemblies are type 304 with a minimum tensile strength of 95,000psi and minimum yield of 45,000psi.



Slingco America, Inc.
130 Celtic Blvd, Tyrone,
Georgia, 30290, USA
TOLL FREE: 888 685 9478
sales@slingcoamerica.com

888-685-9478

slingco.com

Slingco Limited
Gateway Business Park, New Hall Hey Road,
Rawtenstall, BB4 6JG, England
Tel: +44 [0]1706 855558
sales@slingco.com

+44 [0]1706 855558

Slingco Australia Pty. Ltd.
L11, 1 York Street, Sydney,
NSW 2000, Australia
Tel: +61 2 8313 5596
sales@slingcoaustralia.com.au

+61 3 8840 6556

Bolt Clamps, Mounting Plates, Banding And Accessories Safety & Information Guide: MAN10968 – RevA 2 October 2023

Slingco makes no warranty, express or implied, with respect to this product nor with respect to its specifications. In no event shall Slingco be liable for any direct, indirect, punitive, incidental, special consequential damages to property or life, whatsoever, arising out of or connected with the use or misuse of this product. This product is intended for use by qualified professionals having adequate knowledge of its proper use. *October 2023 - v1.3*