

# EDGE MOUNT MANHOLE LEAD-IN CABLE ROLLER (LIGHT DUTY)

## ⚠ WARNING

Cancer and Reproductive Harm: [www.P65Warnings.ca.gov](http://www.P65Warnings.ca.gov)

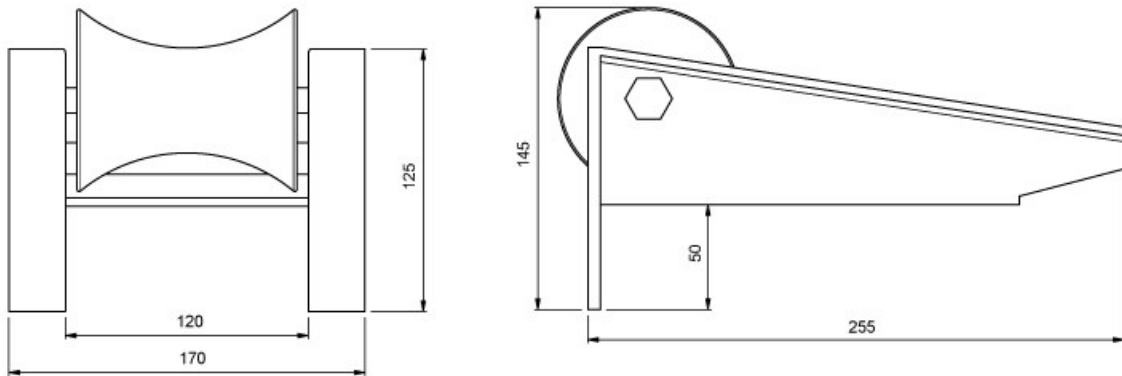


## KEY FEATURES

- ✓ Heavy steel section construction
- ✓ 76mm diameter aluminium roller\*
- ✓ Fitted with oil-impregnated maintenance-free bushes
- ✓ Sealed precision roller bearings
- ✓ Zinc plated or powder coated finish
- ✓ Weight 3Kg

The manhole cable roller leads the cable from the drum into the jointbox/manhole or the winch bond out of the manhole. The roller has 2 hooks for location on the edge of the manhole.

\* The aluminium roller can be substituted with a solid steel roller when using wire winch bond thus preventing damage.



Slingco Part No.	Base Footprint (mm)	Height (mm)
ZGP8210	255 x 170	145

Slingco Part No.	Base Footprint (in)	Height (in)
ZGP8210	10 x 6.7	5.7

Slingco Part No.	Base Footprint (in)	Base Footprint (mm)	Height (in)	Height (mm)
ZGP8210	10 x 6.7	255 x 170	5.7	145

This information is for marketing purposes only. The details contained herein is presented as general information and no representation or warranty is expressly or impliedly given as to its accuracy, completeness or correctness. It does not constitute part of a legal offer or contract. For technical specifications, please contact Slingco Limited.



## GET IN TOUCH

☎ 01706 855 558

✉ [sales@slingco.com](mailto:sales@slingco.com)

# EDGE MOUNT MANHOLE LEAD-IN CABLE ROLLER (LIGHT DUTY)


## Dimensions

The figures shown are indicative only. Fully dimensioned data-sheets are available on request. Nominal figures/actuals are as per data-sheet with tolerances of +/-10%. Please contact us if you have any questions.

**Range dimension overlaps** If the cable, rope or hose you have lies where ranges overlap, e.g. 1" when sizing is 0.5-1.00 and 1.00-1.5 we recommend that you select your cable grip to achieve break load first. If tensile strengths are equal or both adequate, choose the smaller of the two. Please contact us if you have any questions.



GET IN TOUCH

 01706 855 558

 [sales@slingco.com](mailto:sales@slingco.com)