

# HEAVY DUTY STRAIGHT LINE CABLE LAYING ROLLER

## ⚠ WARNING

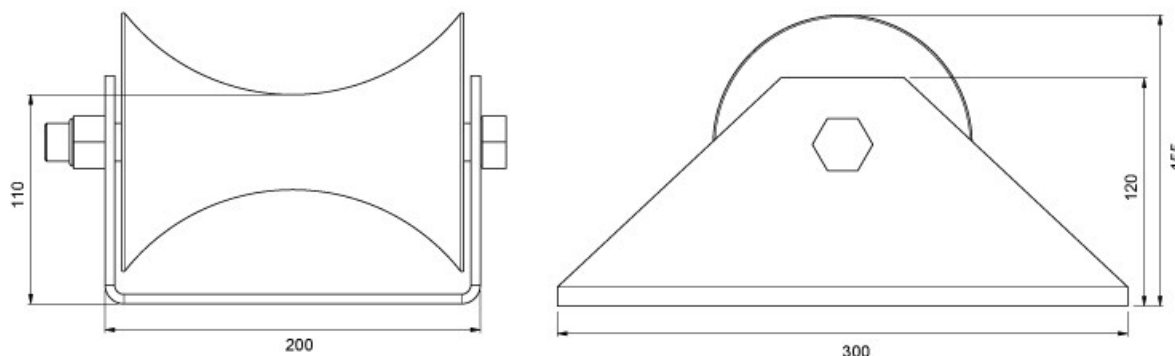
Cancer and Reproductive Harm: [www.P65Warnings.ca.gov](http://www.P65Warnings.ca.gov)



## KEY FEATURES

- ✓ Heavy duty folded frame straight line roller
- ✓ Aluminium diablo roller with 78mm radius
- ✓ Sealed roller bearing and 20mm shaft
- ✓ Galvanised finish
- ✓ Weight : 7Kg

The diablo is machined with a 107mm radius giving a maximum capacity of 214mm diameter.



Slingco Part No.	Base Footprint (mm)	Height (mm)
ZGP8268	300 x 200	155

Slingco Part No.	Base Footprint (in)	Height (in)
ZGP8268	11.81 x 7.87	6.1

Slingco Part No.	Base Footprint (in)	Base Footprint (mm)	Height (in)	Height (mm)
ZGP8268	11.81 x 7.87	300 x 200	6.1	155

This information is for marketing purposes only. The details contained herein is presented as general information and no representation or warranty is expressly or impliedly given as to its accuracy, completeness or correctness. It does not constitute part of a legal offer or contract. For technical specifications, please contact Slingco Limited.

### Dimensions

The figures shown are indicative only. Fully dimensioned data-sheets are available on request. Nominal figures/actuals are as per data-sheet with tolerances of +/-10%. Please contact us if you have any questions.

**Range dimension overlaps** If the cable, rope or hose you have lies where ranges overlap, e.g. 1" when sizing is 0.5-1.00 and 1.00-1.5 we recommend that you select your cable grip to achieve break load first. If tensile strengths are equal or both adequate, choose the smaller of the two. Please contact us if you have any questions.



## GET IN TOUCH

01706 855 558

sales@slingco.com