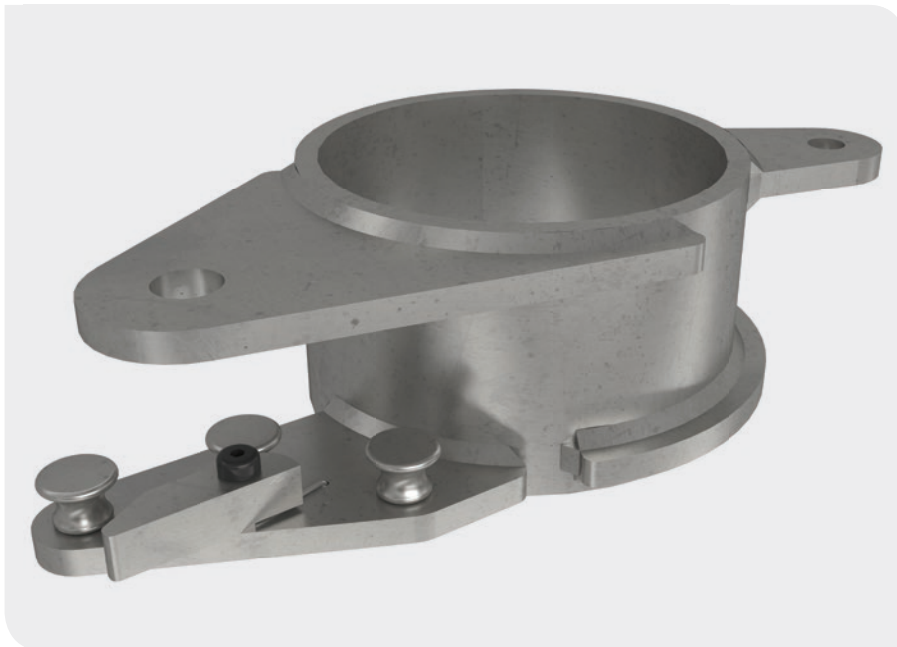


## BOLLARD CLAMP

**TENSION WITHOUT DAMAGE  
TO ROPE, OUTER COATING  
OR UNDERLYING LAYERS**



- Tension without damage to rope, outer coating or underlying layers
- Secures the rope up to 3x WLL
- Weighs only 3kg
- Suitable for ropes 12-15mm diameter

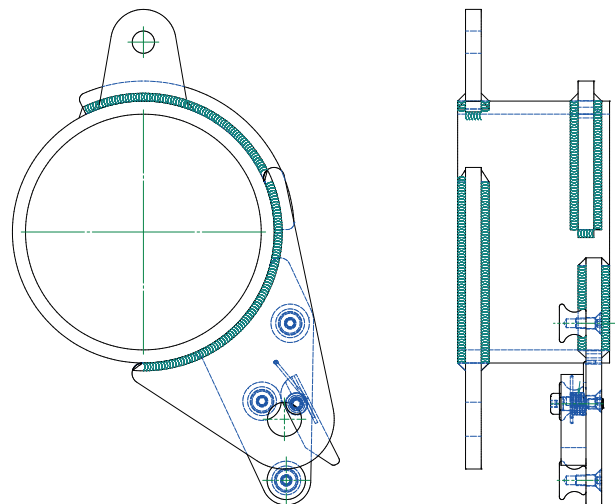


The Bollard Clamp is an easy to use tensioning device that can be used without risk of damage to the tensioned rope. This is a major advantage over standard types of gripping devices, which could potentially crush or compress the rope or its outer coating.

Installation of the Bollard Clamp is simple, requiring no tools, and the device can be fitted anywhere along the length of the rope using a spring-loaded rope captivation lever. One installed, the clamp utilises the friction created over a large area of the rope to enable the required tension to the specified WLL.

WLL	Proof load	MBL	Material	Weight	Barrel diameter	Rope suitability
17kN	25.5kN	51kN	Aluminium (6082/1050)	3 kg	200mm	12-15mm

Figures given above are indicative only. Nominal figures/actuals are as per datasheet with tolerances of +/-5%. Datasheets available on request.



FOR ANY ENQUIRIES CALL TODAY ON

**+44 [0]1706 855558**

**Slingco Limited**

Gateway Business Park, New Hall Hey Road, Rawtenstall, BB4 6JG, England  
Tel: +44 [0]1706 855558 · sales@slingco.com



[slingco.com](http://slingco.com)