

# CONDUCTOR REPLACEMENT ROLLERS

## REPLACE EXISTING EARTH WIRE AND CONDUCTORS IN OHL NETWORKS

The Conductor Replacement Roller (CRR) provides a simple, conductor-deployed protection system using a lightweight aramid rope.

The CRR unit enables the safe exchange of conductors in three easy steps:

1. Laying out the pulling cable, e.g. with an electric pulling robot.
2. Tensioning the CRR Block assembly.
3. Feeding a new conductor through the cable pulleys of the CRR Block.

The CRR rollers have spring loaded gripping feature to secure the rope laterally without impinging any rotational movement as the rollers rotate around the axis of the conductor.

Considerable effort has been made to reduce the complexity of the design to provide a simple mechanism to hold the rope and then connect around the conductor.

Designed for rapid deployment and secure connection the external locking mechanism can be inspected from ground level.



### MATERIAL

30% glass filled Nylon 6 from bespoke mould tooling.

### DESIGN

Bespoke design incorporates aperture of 65mm to accept smooth passage of joints and connectors.

### TESTING

- Type registered to industry standards
- Non conductive through use of insulating materials

### WEIGHT

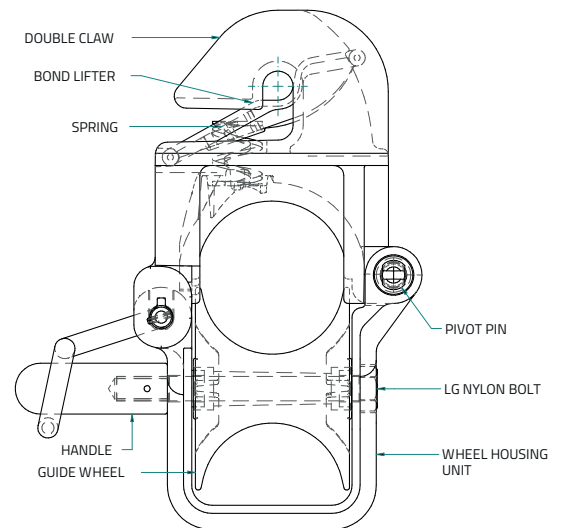
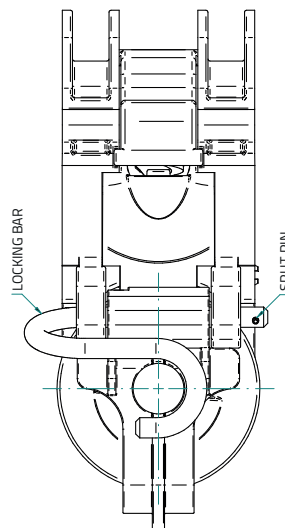
1.25kg

### WLL

200kg

### FOS

800kg ( industry standard)



### WARNING

Cancer and Reproductive Harm  
[www.P65Warnings.ca.gov](http://www.P65Warnings.ca.gov)

FOR ANY ENQUIRIES CALL TODAY ON

**+44 [0]1706 855558**

### Slingco Limited

Gateway Business Park, New Hall Hey Road, Rawtenstall, BB4 6JG, England  
Tel: +44 [0]1706 855558 · sales@slingco.com



[slingco.com](http://slingco.com)