

GUY WIRE DISPENSER SAFE OPERATION AND MAINTENANCE INSTRUCTIONS

SLINGCO STANDARD PART NO. ZWM09207
SLINGCO LARGE PART NO. ZWM12496

⚠ ATTENTION

READ and **UNDERSTAND** all of the instructions and safety information in this manual before operating or servicing this tool.

Failure to read and understand these warnings and safe handling instructions could result in severe personal injury or death.

KEEP THIS MANUAL WITH TOOL.

SAFETY & MAINTENANCE



Pinch Point Warning



Not an Insulated Product



Safety Goggles Required



Hard Hat Required



Gloves Required

⚠ ATTENTION

DO NOT perform any service or maintenance on this tool other than described in this manual.

Read and follow the operator's manual before using this tool.

This manual should be kept available to all operating and maintenance personnel.

WORK AREA SAFETY

1. Keep the area around the equipment clean and free of obstruction.
2. Bystanders should stay clear of the work area to ensure safety.

PERSONAL SAFETY

1. Stay alert while using the equipment to prevent serious injury. Do not use under the influence of drugs, alcohol or medications.
2. Do not wear loose hair or clothes that may get caught while the equipment is in operation.
3. Work safely. Maintain your balance and do not reach while operating equipment.

TOOL USE AND CARE

1. **DO NOT** use this tool if there are any abnormalities or damage to any of its components.
2. Inspect the tool before and after every use. Do not use this tool if it is damaged in any way. Ensure that all pins are secure.
3. When having the tool repaired, always use factory Slingco replacement parts. Tools must be serviced and/or repaired by Slingco or a factory authorized service center.

CAPACITY

STANDARD GUY WIRE DISPENSER

- **Max Guy Wire Capacity:** 1/2"
- **Coil Width Capacity:** 4.75"
- **Coil Diameter Range:** 22" - 31"
- **Weight:** 45lbs
- **Repair Kit Part Number:** ZWM09741

LARGE GUY WIRE DISPENSER

- **Max Guy Wire Capacity:** 1/2"
- **Coil Width Capacity:** 8.75"
- **Coil Diameter Range:** 32" - 36"
- **Weight:** 54lbs
- **Repair Kit Part Number:** ZWM12697

OPERATING INSTRUCTIONS

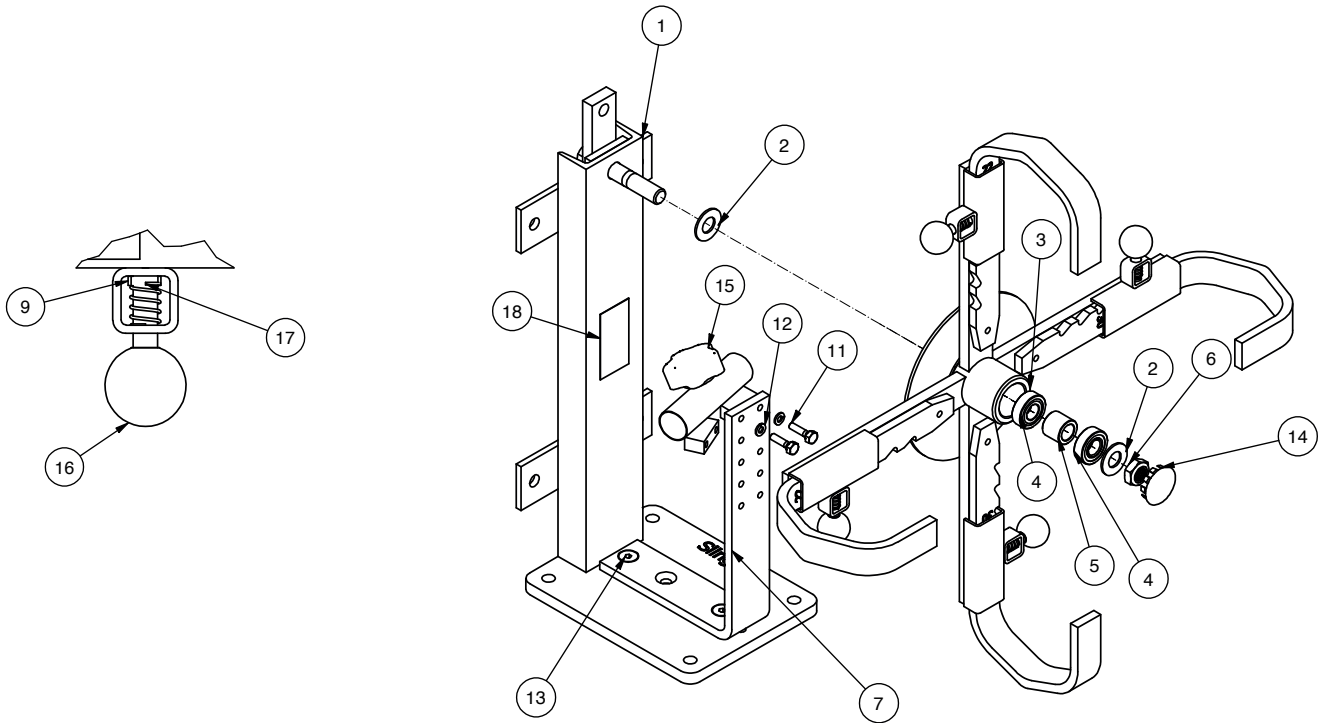
1. Before using this product, ensure that the dispenser base is securely mounted to the truck. Unit can be secured by using the four holes on the base or the four holes on the side.

2. Before loading coil into dispenser, if coil is not already banded, band and tape ends.

3. Next adjust horizontal and lower arms to coil size. Lift the coil and place into the dispenser. Be sure to load coil where bands are in an exposed position and not blocked by the arms.

4. Then secure upper arm by applying a downward force, remove banding and tape, and pull the starting point of coil through guide.

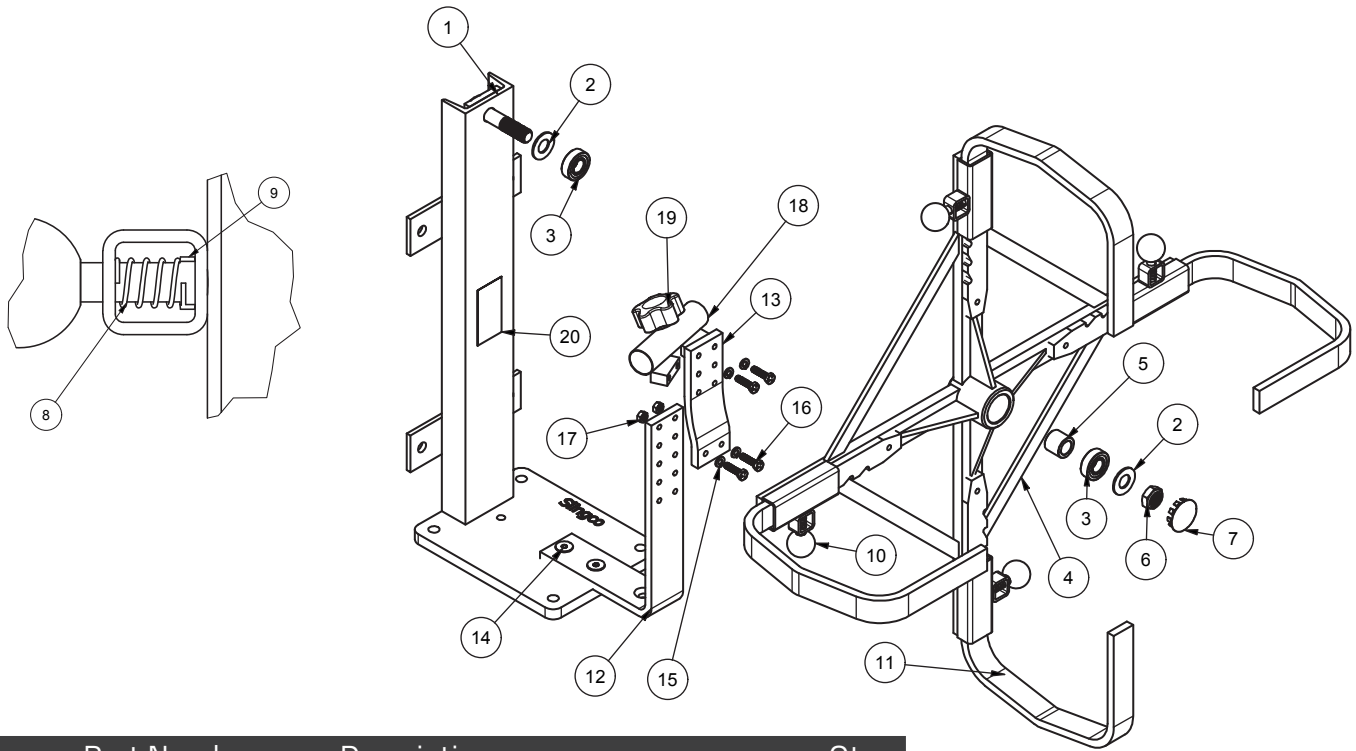
STANDARD GUY WIRE DISPENSER PARTS GUIDE



Item	Part Number	Description	Qty
1	WHD09177	Base Weldment	1
2	WSH09212*	5/8" SAE Flat Washer	2
3	WHD09204	Rotating Weldment	1
4	BEA09211*	Sealed Ball Bearing	2
5	SPA09209*	Spacer	1
6	HRD09210*	5/8"-11 Locknut	1
7	WHD09206	L Bracket	1
8	WHD09202	Guide	1
9	HRD09208*	9/64"x1/2" Spring Pin	4
10	WHD09205	Arm	4
11	FHX10520*	1/4"-20 UNC - 1" Long Bolt	2
12	LWR10517*	1/4" Lock Washer	2
13	FSC10521*	3/8"-16 UNC - 0.75" Long Screw	2
14	CAP09213*	Dust Cap	1
15	HAN09214	Campfort Grip 5 Arm Knob	1
16	HAN09203*	Knob Assembly	4
17	SPG09215*	Spring	4
18	LAB09235	Label	1

■ Note: All Slingco part numbers with a (*) are included in ZWM09741 (repair kit).

LARGE GUY WIRE DISPENSER PARTS GUIDE



Item	Part Number	Description	Qty
1	WHD10513	Base Weldment	1
2	WSH09212*	5/8" SAE Flat Washer	2
3	BEA09211*	Sealed Ball Bearing	2
4	WHD10515	Rotating Weldment	1
5	SPA09209*	Spacer	1
6	HRD09210*	5/8"-11 Locknut	1
7	CAP09213*	Dust Cap	1
8	SPG09215*	Spring	4
9	HRD09208*	9/64"x1/2" Spring Pin	4
10	HAN09203*	Knob Assembly	4
11	WHD10514	Arm	4
12	WHD09206	L Bracket	1
13	WHD10516	L Bracket Extender	1
14	FSC10521*	3/8"-16 UNC - 0.75" Long Screw	2
15	LWR10517*	1/4" Lock Washer	4
16	FHX10520*	1/4"-20 UNC - 1" Long Bolt	4
17	FNU10519*	1/4"-20 UNC Hex Nut	2
18	WHD09202	Guide	1
19	HAN09214	Campfort Grip 5 Arm Knob	1
20	LAB10558	Label	1

■ Note: All Slingco part numbers with a (*) are included in ZWM12697 (repair kit).

ATTENTION

READ and **UNDERSTAND** all of the instructions and safety information in this manual before operating or servicing this tool.

Failure to read and understand these warnings and safe handling instructions could result in severe personal injury or death.

KEEP THIS MANUAL WITH TOOL.

WARNING

Cancer and Reproductive Harm www.P65Warnings.ca.gov



Slingco America, Inc.
3100 Jonquil Drive SE, Smyrna,
GA 30080, USA
TOLL FREE: 888 685 9478
sales@slingcoamerica.com

888-685-9478

slingco.com

Slingco Limited
Gateway Business Park, New Hall Hey Road,
Rawtenstall, BB4 6JG, England
Tel: +44 [0]1706 855558
sales@slingco.com

+44 [0]1706 855558

Slingco Australia Pty. Ltd.
L11, 1 York Street, Sydney,
NSW 2000, Australia
Tel: +61 3 8840 6556
sales@slingcoaustralia.com.au

+61 3 8840 6556

Standard and Large Guy Wire Dispenser Maintenance Manual: MAN10826 – RevA Date July 2025

Slingco makes no warranty, express or implied, with respect to this product nor with respect to its specifications. In no event shall Slingco be liable for any direct, indirect, punitive, incidental, special consequential damages to property or life, whatsoever, arising out of or connected with the use or misuse of this product. This product is intended for use by qualified professionals having adequate knowledge of its proper use. July 2025 - v1.6