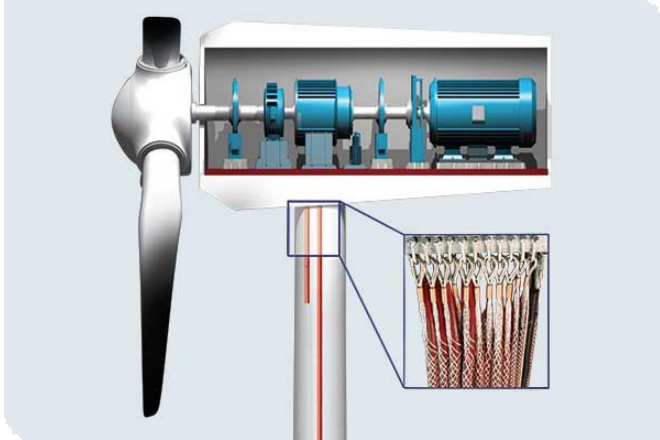


# WIND TURBINE CABLE GRIP - HEAVY DUTY THIMBLE OFFSET EYE



## KEY FEATURES

- ✓ Designed for minimal contact with the actual cable
- ✓ High working loads and cable support.
- ✓ Manufactured from 316 Stainless Steel
- ✓ Rounded copper ferrules.
- ✓ Bespoke design option available

Slingco has developed a range of cable grips tailored for the renewable energy sector for use in:

- Cable installation – on-shore and off-shore
- Cable support inside wind turbines
- Cable management

For wind turbines, special features have been adapted to allow for minimal contact with the actual cable while still allowing excellent working loads and cable support.

The Slingco Wind Turbine Support Grip is manufactured from 316 Stainless Steel and provides cable support and control inside the wind turbine. It features rounded copper ferrules and offers reduced cable contact for high vibration environments.

Custom grips can be adapted to meet any requirement.

Slingco Part No.	Range (mm)	Range (in)	Lattice Length (mm)	Lattice Length (in)	Approx. Break Load (kg)	Approx. Break Load (lb)
ZCS2844	8 - 10	0.31 - 0.40	480	19	660	1,455
ZCS2845	10 - 15	0.40 - 0.60	438	17.25	1,036	2,284
ZCS2846	15 - 20	0.60 - 0.80	426	16.75	1,316	2,901
ZCS2847	20 - 25	0.80 - 0.99	461	18	2,080	4,586
ZCS2848	25 - 30	1.0 - 1.19	413	16.25	2,480	5,467
ZCS2849	30 - 40	1.20 - 1.58	470	18.5	3,500	7,716
ZCS2850	40 - 50	1.58 - 1.98	825	32.5	4,890	10,781
ZCS2851	50 - 60	1.98 - 2.37	840	33	4,895	10,791
ZCS2852	60 - 70	2.38 - 2.77	788	31	6,424	14,163
ZCS2853	70 - 90	2.77 - 3.55	1,135	44.5	6,424	14,163
ZCS2854	90 - 110	3.55 - 4.33	799	31.5	8,331	18,367

This information is for marketing purposes only. The details contained herein is presented as general information and no representation or warranty is expressly or impliedly given as to its accuracy, completeness or correctness. It does not constitute part of a legal offer or contract. For technical specifications, please contact Slingco America, Inc.



## GET IN TOUCH

☎ 1 888 685 9478

✉ [sales@slingcoamerica.com](mailto:sales@slingcoamerica.com)

# WIND TURBINE CABLE GRIP - HEAVY DUTY THIMBLE OFFSET EYE


## Dimensions

The figures shown are indicative only. Fully dimensioned data-sheets are available on request. Nominal figures/actuals are as per data-sheet with tolerances of +/-10%. Please contact us if you have any questions.

**Range dimension overlaps** If the cable, rope or hose you have lies where ranges overlap, e.g. 1" when sizing is 0.5-1.00 and 1.00-1.5 we recommend that you select your cable grip to achieve break load first. If tensile strengths are equal or both adequate, choose the smaller of the two. Please contact us if you have any questions.



GET IN TOUCH

 1 888 685 9478

 [sales@slingcoamerica.com](mailto:sales@slingcoamerica.com)