

CONDUCTOR REPLACEMENT ROLLER

⚠ WARNING

Cancer and Reproductive Harm: www.P65Warnings.ca.gov



KEY FEATURES

- ✓ Material: 30% glass filled Nylon 6 from custom mould tooling.
- ✓ Design: Custom design incorporates aperture of 2.56 in to accept smooth passage of joints and connectors.
- ✓ Testing: Type registered to industry standards; Non conductive through use of insulating materials

The Conductor Replacement Roller (CRR) provides a simple, conductor-deployed protection system using a lightweight aramid rope.

The CRR unit enables the safe exchange of conductors in three easy steps:

1. Laying out the pulling cable, e.g. with an electric pulling robot.
2. Tensioning the CRR Block assembly.
3. Feeding a new conductor through the cable pulleys of the CRR Block.

The CRR rollers have spring loaded gripping feature to secure the rope laterally without impinging any rotational movement as the rollers rotate around the axis of the conductor.

Considerable effort has been made to reduce the complexity of the design to provide a simple mechanism to hold the rope and then connect around the conductor.

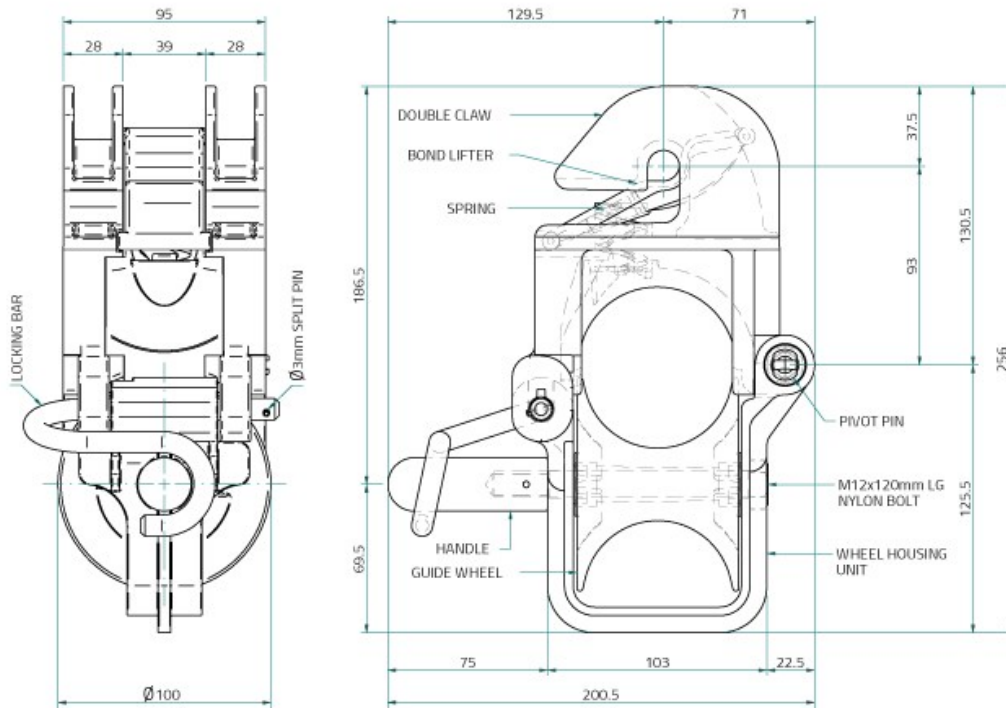
Designed for rapid deployment and secure connection the external locking mechanism can be inspected from ground level.



GET IN TOUCH

☎ 1 888 685 9478
✉ sales@slingcoamerica.com

CONDUCTOR REPLACEMENT ROLLER



| Slingco Part No. | Weight (kg) | WLL (kg) | FOS (kg) |
|------------------|-------------|----------|----------|
| ZSN11371 | 1.25 | 200 | 800 |

| Slingco Part No. | Weight (lb) | WLL (lb) | FOS (lb) |
|------------------|-------------|----------|----------|
| ZSN11371 | 2.76 | 440 | 1,763 |

This information is for marketing purposes only. The details contained herein is presented as general information and no representation or warranty is expressly or impliedly given as to its accuracy, completeness or correctness. It does not constitute part of a legal offer or contract. For technical specifications, please contact Slingco America, Inc.

Dimensions

The figures shown are indicative only. Fully dimensioned data-sheets are available on request. Nominal figures/actuals are as per data-sheet with tolerances of +/- 10%. Please contact us if you have any questions.

Range dimension overlaps If the cable, rope or hose you have lies where ranges overlap, e.g. 1" when sizing is 0.5-1.00 and 1.00-1.5 we recommend that you select your cable grip to achieve break load first. If tensile strengths are equal or both adequate, choose the smaller of the two. Please contact us if you have any questions.



GET IN TOUCH

1 888 685 9478

sales@slingcoamerica.com