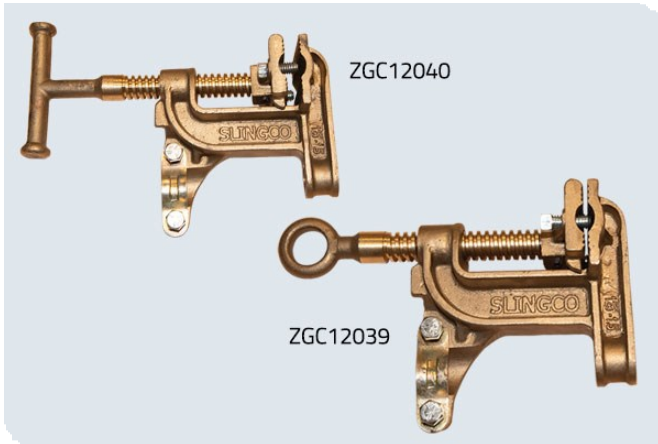


GROUNDING CLAMPS



KEY FEATURES

- ✓ Meets ASTM F855 specification
- ✓ Line range up to 2" (50.8 mm)
- ✓ Adjustable to ensure secure connection between clamp and cable

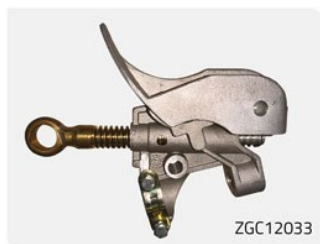
Slingco's grounding clamps meet ASTM F855 and have a maximum line range of up to 2" (50.8mm) which allows them to be used in a wide variety of grounding applications.

Aluminum clamps

Slingco's aluminum grounding clamps have a location for a grounding stud which allows for a wide variety of grounding applications. The Slingco aluminum clamps come with serrated and a smooth jaw offering.

Bronze clamps

Slingco's bronze grounding clamps have set screws in the moveable jaw which allows the user to adjust and make sure there is a secure connection between the clamp and cable. The flat face clamps come with a serrated jaw and are available with a T-handle or Eye Bolt.



GET IN TOUCH

☎ 1 888 685 9478
✉ sales@slingcoamerica.com