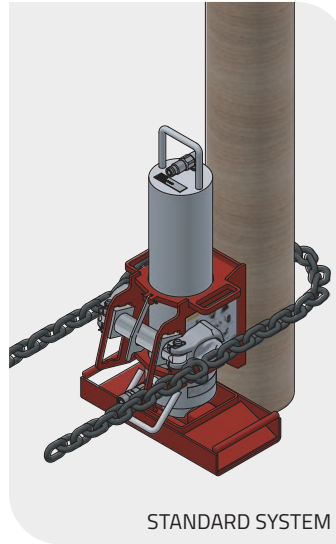
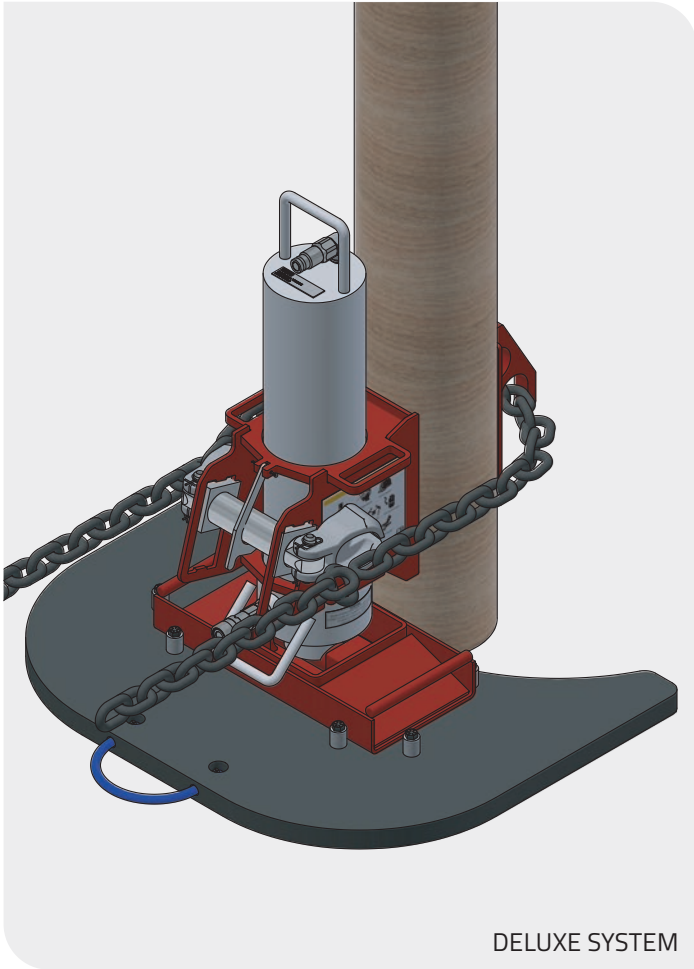


POLE PULLER

REDUCE POTENTIAL BOOM DAMAGE AND PERSONAL INJURY



- Standard and Deluxe options
- Lighter weight than comparable systems
- Base plate with positioning posts for optimum pulling placement
- Low point of attachment for maximum pulling options

| Slingco Part No. | Description | Max. Operating Pressure | Recommended Flow Rate | Lift at Max. Pressure | | System Total Weight | |
|---|---------------------------|-------------------------|-----------------------|-----------------------|--------|---------------------|-------|
| | | PSI | GPM | lb | kg | lb | kg |
| TPE09386 | Deluxe Pole Puller System | 2,800 | 4 – 8 | 50,120 | 22,734 | 157 | 71.2 |
| DELUXE Pole Puller System consists of: hydraulic cylinder*, chain, base weldment, swivel assembly PLUS back plate weldment, and pole puller pad. *hydraulic cylinder comes with flush face fittings installed. | | | | | | | |
| TPE10551 | Pole Puller System | 2,800 | 4 – 8 | 50,120 | 22,734 | 128 | 58 |
| STANDARD Pole Puller System consists of: hydraulic cylinder*, chain, base weldment, swivel assembly. *hydraulic cylinder comes with flush face fittings installed. | | | | | | | |
| TPE09378 | Pole Puller Pad | | | | | 23 | 10.43 |
| TPE09367 | Back Plate Weldment | | | | | 6 | 2.72 |

Slingco's pole puller is a must have to comply with today's safe working practices, reducing the potential for boom damage and greatly reducing the potential of personal injury.

The pole puller is easily assembled and disassembled. The standard pole puller system is composed of four pieces and the deluxe system six pieces. These configurations make the Slingco pole puller easy to handle and lighter weight than typical units on the market.

The Slingco Deluxe Pole Puller system includes the pole puller pad and back plate weldment. The pole puller pad has studs which keep the base plate in the optimum position when pulling poles. The back plate weldment has angled teeth to increase hold on the pole during extraction.

Slingco's pole puller offers a low point of attachment making it easy to remove even broken or cut poles.

⚠ WARNING

Cancer and Reproductive Harm
www.P65Warnings.ca.gov



POLE STAND

POSITION WOOD POLES AT
OPTIMAL HEIGHT FOR EASY
AND SAFE FRAMING



- Lightweight and compact
- Quick swing-and-lock legs
- Positions poles for safe and comfortable framing

Slingco's pole stand is lightweight and compact making it easy to place, remove, and store on your truck or jobsite. The support leg's swing-and-lock design make moving and storing the Slingco pole stand a breeze.

The pole stand positions the pole at an optimal height for easy and safe framing. The pole stand's capacity of 6,000 lb makes it capable of handling the majority of wood distribution poles. Its curved cradle allows for safe rotation of the pole for proper framing positioning.

The pole stand's high visibility and durability make it a proven choice for any work location or environment.

| Slingco Part No. | Description | Capacity | | Height | | Width | | Weight | |
|------------------|-------------|----------|-------|--------|-------|-------|------|--------|------|
| | | lb | kg | in | cm | in | cm | lb | kg |
| TPE09682 | Pole Stand | 6,000 | 2,722 | 23.75 | 60.33 | 30 | 76.2 | 32 | 14.5 |

⚠ WARNING
Cancer and Reproductive Harm
www.P65Warnings.ca.gov

FOR ANY INQUIRIES CALL TODAY ON

888 685 9478

Slingco America, Inc.

3100 Jonquil Drive SE, Smyrna, Georgia, 30080, USA
TOLL FREE: 888 685 9478 · sales@slingcoamerica.com



slingcoamerica.com

Slingco makes no warranty, express or implied, with respect to this product nor with respect to its specifications. In no event shall Slingco be liable for any direct, indirect, punitive, incidental, special consequential damages to property or life, whatsoever, arising out of or connected with the use or misuse of this product. This product is intended for use by qualified professionals having adequate knowledge of its proper use. August 2025 - v1.3