



BLANKET MAGNET OPERATION AND SAFETY GUIDE

SLINGCO PART NO. PPE10785

⚠ ATTENTION

READ and **UNDERSTAND** all of the instructions and safety information in this manual before operating or servicing this tool.

Failure to read and understand these warnings and safe handling instructions could result in severe personal injury or death.

KEEP THIS MANUAL WITH TOOL.



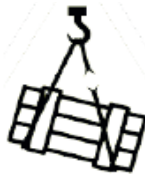
Pinch Point Warning



Safety Goggles Required



Hard Hat Required



Suspended Load



Electrical Shock Hazard



Insulated Gloves Required

SAFETY & MAINTENANCE

WORK AREA SAFETY

1. Keep the area around the equipment clean and free of obstruction.
2. Bystanders should stay clear of the work area to ensure safety.

PERSONAL SAFETY

1. Stay alert while using the equipment to prevent serious injury. Do not use under the influence of drugs, alcohol or medications.
2. Do not wear loose hair or clothes that may get caught while the equipment is in operation.
3. Work safely. Maintain your balance and do not reach while operating equipment.

TOOL USE AND CARE

1. **DO NOT** use this tool if there are any abnormalities or damage to any of its components.
2. Inspect the tool before and after every use. Do not use this tool if it is damaged in any way.

WARNINGS

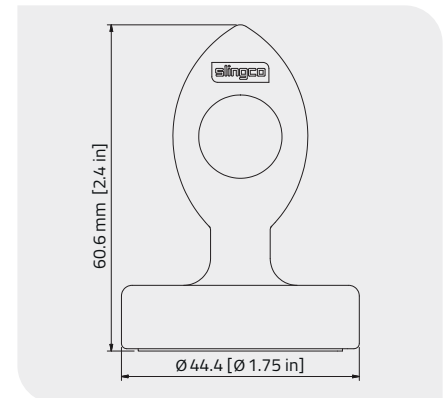
- Inspect Blanket Magnets before and after each use. If there is any damage, discard the product immediately.
- Temporary items are intended to be inspected frequently. Follow your company's standard work practices or inspect routinely.
- Avoid any fingers, body parts, clothing, etc. being caught between magnet and the surface attached. Injury could occur.
- This is a powerful magnet. Keep away from any device to which it could cause harm. Examples include pacemakers, phones, computers, etc.

ATTENTION

DO NOT perform any service or maintenance on this tool other than described in this manual.
Read and follow the operator's manual before using this tool.
This manual should be kept available to all operating and maintenance personnel.

DESCRIPTION

- The Slingco Blanket Magnet is constructed of ultraviolet-stabilized fiberglass reinforced polymer. This reinforced polymer remains strong and resists breakage, providing a long life for the tool.
- The Slingco Blanket Magnet is designed to fit through the eyelets of an insulated blanket. Afterwards, the magnet along with the blanket can be placed over energized areas of transformers, switchboards and substations.
- Can be used with hot line tools.
- Weight: 0.2 lb
- Magnet rating: 120 lb



WARNING
Cancer and Reproductive Harm
www.P65Warnings.ca.gov



Slingco America, Inc.
130 Celtic Blvd, Tyrone,
Georgia, 30290, USA
TOLL FREE: 888 685 9478
sales@slingcoamerica.com

Slingco Limited
Gateway Business Park, New Hall Hey Road,
Rawtenstall, BB4 6JG, England
Tel: +44 [0]1706 855558
sales@slingco.com

Slingco Australia Pty. Ltd.
L9, 1 York Street, Sydney,
NSW 2000, Australia
Sales: +61 3 8840 6556
sales@slingcoaustralia.com.au

888-685-9478

+44 [0]1706 855558

+61 3 8840 6556

slingco.com

Blanket Magnet Operation and Safety Guide: MAN11873 – RevA Date July 2025

Slingco makes no warranty, express or implied, with respect to this product nor with respect to its specifications. In no event shall Slingco be liable for any direct, indirect, punitive, incidental, special consequential damages to property or life, whatsoever, arising out of or connected with the use or misuse of this product. This product is intended for use by qualified professionals having adequate knowledge of its proper use. July 2025 - v1.6