



RATCHET TYPE CUTTING TOOL SAFETY & INFORMATION GUIDE

SLINGCO PART NOS. TCU09280 (ACSR), TCU09281 (CUAL),
TCU11807 (SMALL GUY WIRE)

⚠ ATTENTION

READ and **UNDERSTAND** all of the instructions and safety information in this manual before operating or servicing this tool.

Failure to read and understand these warnings and safe handling instructions could result in severe personal injury or death.

KEEP THIS MANUAL WITH TOOL.

Thank you for using Slingco® products. This manual must be read and understood prior to operating this product. Special attention should be paid to the section **'Safety Information'**.

This manual should be kept available to all operating and maintenance personnel.

Additional or replacement manuals may be obtained at no charge by contacting your local Slingco office.

CONTENTS

SAFETY INFORMATION	3
SPECIFICATIONS & OPERATION	4
MAINTENANCE	5
PARTS GUIDE	6-7

SAFETY INFORMATION

⚠ ATTENTION



DO NOT perform any service or maintenance on this tool other than described in this manual.

Read and follow the operator's manual before using tool.

⚠ WARNING



This tool is intended for two-handed operation. Maintain a firm grip at the base of both handles when using this tool.



Inspect tool before use. If any parts are worn or damaged, send the tool to an authorized Slingco Service center.

DO NOT exceed the rated capacity of this tool.

Failure to observe these precautions may result in injury or property damage.

⚠ WARNING

PINCH POINT HAZARD



- Keep hands away from cutting jaws at all times.
- Serious injury or dismemberment may occur.

⚠ WARNING

ELECTRICAL SHOCK HAZARD



- This tool is **NOT** insulated.
- **DO NOT USE** on live circuits.
- Failure to observe this warning could result in severe injury or death.

⚠ WARNING

MUST USE EYE PROTECTION



- **DO NOT** operate without eye protection.
- Failure to wear eye protection could result in serious eye injury from flying debris.

⚠ WARNING

MULTIPLE FLYING OBJECTS

- Safety glasses **ARE REQUIRED** when operating this tool!
- Any co-workers/bystanders near the cutting area **MUST BE WARNED** of potential hard-metal objects flying at high speeds.
- Anyone remaining near cutting area, **MUST WEAR SAFETY GLASSES** to prevent severe injury!
- Extra precautions may be taken to lessen chances of severe injury, such as draping cloth over cutter jaws during use.



SPECIFICATIONS & OPERATION

SPECIFICATIONS: TCU09280

- Capacity:
1/2" (12.7mm) Soft Steel,
954 KCMIL (483mm²) ACSR
- Length: 30" (762 mm)
- Weight: 12 lb (5.44 kg)

SPECIFICATIONS: TCU09281

- Capacity:
1,500 KCMIL (760mm²)
Copper/Aluminum
- Length: 30" (762 mm)
- Weight: 12 lb (5.44 kg)

SPECIFICATIONS: TCU11807

- Capacity:
1/2" EHS Guy Wire
- Length: 29.5" (750 mm)
- Weight: 10.4 lb (4.7 kg)

OPERATION

1. Grip both handles at the base or bottom.
2. Open the jaws by pulling the handles apart and place the wire between the jaws.
3. Keep cutter jaws at a right angle to piece being cut, cutting diagonally may spread and break jaws.
4. Allow the chain spring to pull the handles back together while maintaining grip at the base of the handles.
5. Begin cutting by pressing the handles together. Continue cutting by opening the ratcheting handle until it clicks once. Repeat this ratcheting process until the cut has been complete.
6. Once the cut is complete it may be necessary to open the handles to clear the jaws.
7. Do not twist or pry with tool while cutting.
8. Do not exceed the full cut on a material whose hardness is unknown. Test hardness with slow pressure to see if material is being cut. The size of the metal you are cutting is not as important as its hardness.
9. Do not exceed the cutter capacity or its rating in this manual.

Note: Before starting cut, prep wire with tape to minimize debris when cutting.

MAINTENANCE

IMPORTANT

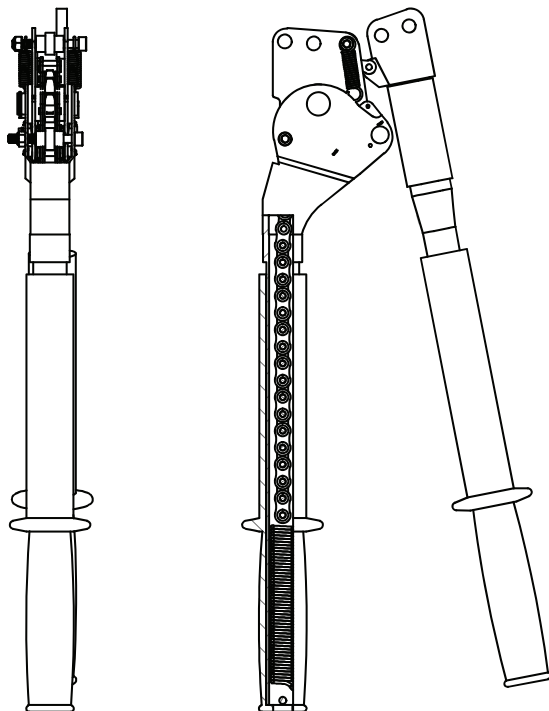
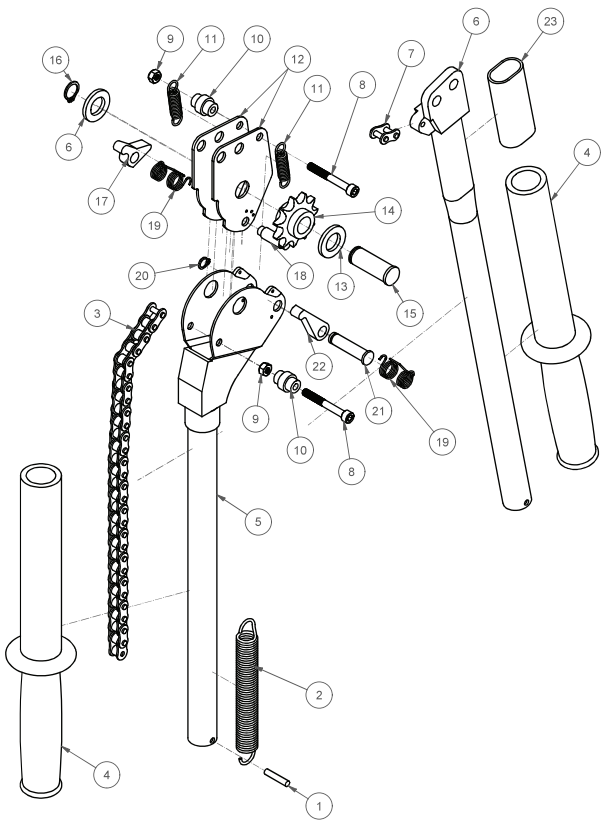
Read and follow all information/warnings prior to performing maintenance.

1. Secure the ratchet cutter in a vise by the non ratcheting handle. The handle should be parallel with the floor and the cutter head should be pointed away from you for maintenance and/or repair.
2. Grip the base of the ratcheting handle and open the cutter jaws.
3. Preferably by aerosol can, apply a light film of molybdenum disulfide lubricant (or equivalent) to the open jaws and the nut/bolt of the head assembly.
4. With the tool still in the open position, apply the same lubricant to the chain and pawls that are exposed while being open. Be careful not to get spray lubricant on the handles.
5. Close and open the cutter several times to disperse the lubricant.

For repair send to an authorized Slingco repair center.

PARTS GUIDE - RATCHETING HANDLE ASSEMBLES

RATCHETING HANDLE ASSEMBLIES

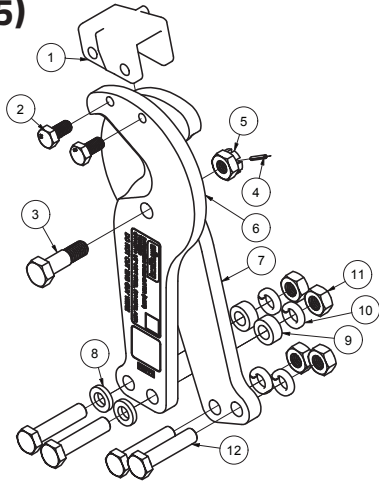


Item	Description	Qty.	Kit No.		
			ACSR (TCU10016)	CUAL (TCU10016)	Guy Wire (TCU14254)
1	Black Arm Pin	1	TCU12428		
2	Spring	1			
3	Chain	1	TCU11776		
4	Rubber Handle	1	TCU11782		
5	Black Arm	N/A	N/A		
6	Red Arm - Small Guy Wire Cutter	N/A	-	-	N/A
6	Red Arm - ACSR / Cual Cutter	N/A	N/A		-
7	Connecting Link	1	TCU11780		
8	Socket Screw	1			
9	Lock Nut	1	TCU12430		
10	Chain Roller	1			
11	Screw Spring	1	TCU11788		
12	Side Plate	N/A	N/A		
13	Washer	2	TCU12431		
14	Sprocket	1			
15	Sprocket Pin	1			
16	External Retaining Ring	1			
17	Detent Pawl #2	1			
18	Pin	1	TCU12432		
19	Pawl Spring	1			
19	Pawl Spring	1	TCU12433		
20	External Retaining Ring	1			
21	Shaft	1			
22	Detent Pawl #1	1			
23	Protector	N/A	N/A		

NOTE: Parts Guide shown for clarity only. Some parts may not be available as a spare parts kit.

PARTS GUIDE - CUTTING HEAD

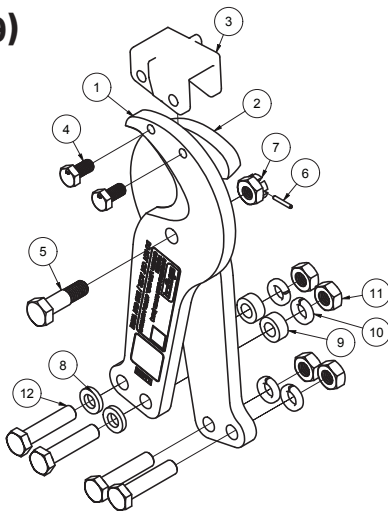
ACSR JAW ASSEMBLY (TCU10015)



Item No.	Kit No.	Description	Qty per Kit
1	N/A	Top Blade Protector	1
2	N/A	Hex Bolt	2
3	N/A	Shoulder Screw	1
4	N/A	Slotted Spring Pin	1
5	N/A	Castle Nut	1
6	N/A	ACSR Blade	1
7	N/A	ACSR Blade w/o Hole	1
8		Spacer	2
9		Spacer	4
10	TCU12429	Spring Washer	4
11		Hex Nut	4
12		Hex Bolt	4

NOTE: Parts Guide shown for clarity only. Some parts may not be available as a spare parts kit.

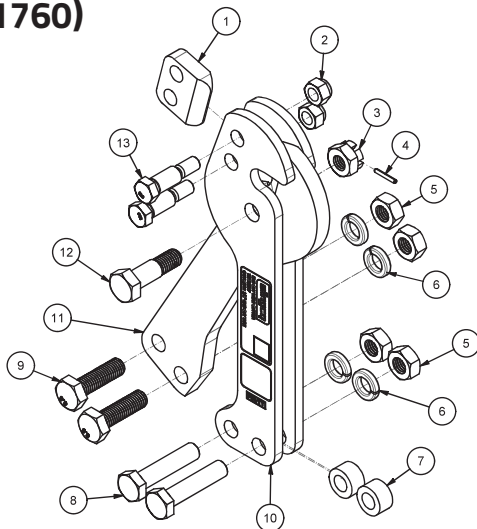
CUAL JAW ASSEMBLY (TCU10159)



Item No.	Kit No.	Description	Qty per Kit
1	N/A	CUAL Blade w/ Holes	1
2	N/A	CUAL Blade w/o Holes	1
3	N/A	Top Blade Protector	1
4	N/A	Hex Bolt	2
5	N/A	Shoulder Screw	1
6	N/A	Slotted Spring Pin	1
7	N/A	Castle Nut	1
8		Spacer	2
9		Spacer	4
10	TCU12429	Spring Washer	4
11		Hex Nut	4
12		Hex Bolt	4

NOTE: Parts Guide shown for clarity only. Some parts may not be available as a spare parts kit.

SMALL GUY WIRE JAW ASSEMBLY (TCU11760)



Item No.	Kit No.	Description	Qty per Kit
1	N/A	Guy Wire Blade Insert	1
2	N/A	Hex Nut	2
3	N/A	Hex Castle Nut	1
4	N/A	Spring Pin	1
5		Hex Nut	4
6		Spring Washer	4
7	TCU15424	Spacer	2
8		Hex Bolt	2
9		Hex Bolt	2
10	N/A	Guy Wire Holder Blade	2
11	N/A	Guy Wire Blade	1
12	N/A	Shoulder Screw	1
13	N/A	Hex Shoulder Screw	2

NOTE: Parts Guide shown for clarity only. Some parts may not be available as a spare parts kit.

ATTENTION

READ and **UNDERSTAND** all of the instructions and safety information in this manual before operating or servicing this tool.

Failure to read and understand these warnings and safe handling instructions could result in severe personal injury or death.

KEEP THIS MANUAL WITH TOOL.

WARNING

Cancer and Reproductive Harm www.P65Warnings.ca.gov



Slingco America, Inc.
3100 Jonquil Drive SE, Smyrna,
Georgia, 30080, USA
TOLL FREE: 888 685 9478
sales@slingcoamerica.com

888-685-9478

slingco.com

Slingco Limited
Gateway Business Park, New Hall Hey Road,
Rawtenstall, BB4 6JG, England
Tel: +44 [0]1706 855558
sales@slingco.com

+44 [0]1706 855558

Slingco Australia Pty. Ltd.
L11, 1 York Street, Sydney,
NSW 2000, Australia
Tel: +61 3 8840 6556
sales@slingcoaustralia.com.au

+61 3 8840 6556

Ratchet Cutting Tools Safety & Information Guide: MAN10058 – RevA Date September 2025

Slingco makes no warranty, express or implied, with respect to this product nor with respect to its specifications. In no event shall Slingco be liable for any direct, indirect, punitive, incidental, special consequential damages to property or life, whatsoever, arising out of or connected with the use or misuse of this product. This product is intended for use by qualified professionals having adequate knowledge of its proper use. *September 2025 - v1.72*