

REEL LIFTER OPERATION GUIDE

SLINGCO PART NOS: ZLD08729 (3,000 LB),
ZLD09186 (5,000 LB), ZLD10807 (12,000 LB)

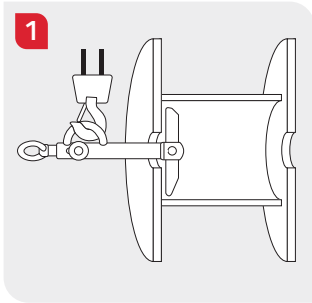


⚠ ATTENTION

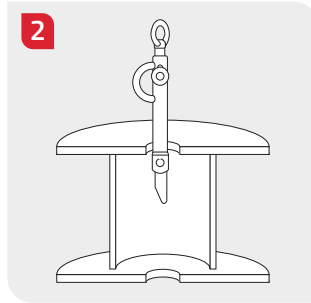
READ and **UNDERSTAND** all of the instructions and safety information in this manual before operating or servicing this tool.

Failure to read and understand these warnings and safe handling instructions could result in severe personal injury or death.

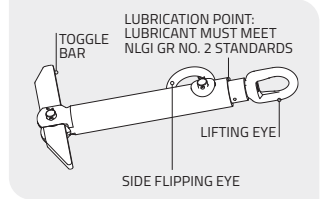
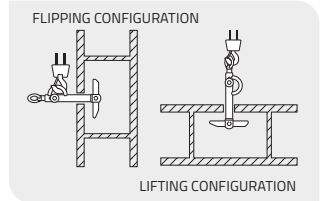
KEEP THIS MANUAL WITH TOOL.



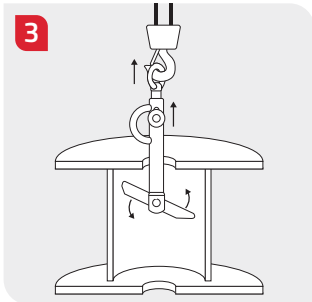
When the reel is in its rolling position, insert the Slingco Reel Lifter into the central hole. Then pull the reel lifter eye to engage the toggle bar. By using the side flipping eye, the reel can then be flipped to the lifting configuration.



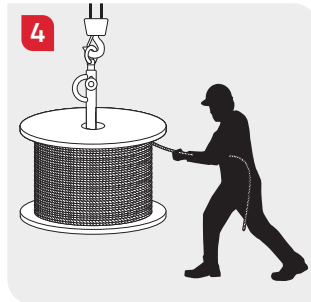
Once the reel is stable in its non-rolling position, lower the reel lifter down into the central hole. **Note:** Once in the non-rolling position, the Slingco Reel Lifter **SHOULD NOT** be used to flip the reel back to the rolling position.









N.B. The Slingco Reel Lifter should be inspected in accordance with ASME section B.30.20-1.3.



To lift the reel, use the lifting eye. The toggle bar will engage under the top of the reel. **Note:** The side flipping eye **SHOULD NOT** be used to lift or suspend the reel.



The reel can now be maneuvered where needed, and wire can be dispensed.

⚠ WARNING HARD HAT REQUIRED	 <ul style="list-style-type: none"> ■ DO NOT operate without proper head protection.
⚠ WARNING SUSPENDED LOAD	 <ul style="list-style-type: none"> ■ Heavy suspended objects can fall, causing property damage, severe injury, or even death.
⚠ WARNING SAFETY SHOES REQUIRED	 <ul style="list-style-type: none"> ■ Safety shoes required when using this product.
⚠ WARNING PINCH POINT HAZARD	 <ul style="list-style-type: none"> ■ Keep hands away from mechanism. ■ Serious injury may occur.
⚠ WARNING GLOVES REQUIRED	 <ul style="list-style-type: none"> ■ DO NOT operate without proper hand protection.
⚠ WARNING	 <ul style="list-style-type: none"> ■ DO NOT lift or suspend the reel using the side flipping eye.



Slingco America, Inc.
3100 Jonquil Drive SE, Smyrna,
Georgia, 30080, USA
TOLL FREE: 888 685 9478
sales@slingcoamerica.com

Slingco Limited
Gateway Business Park, New Hall Hey Road,
Rawtenstall, BB4 6JG, England
Tel: +44 [0]1706 855558
sales@slingco.com

Slingco Australia Pty. Ltd.
L9, 1 York Street, Sydney,
NSW 2000, Australia
Sales: +61 3 8840 6556
sales@slingcoaustralia.com.au

888-685-9478

+44 [0]1706 855558

+61 3 8840 6556

slingco.com

Reel Lifter Operation Guide: MAN14578 – RevA Date June 2025

Slingco makes no warranty, express or implied, with respect to this product nor with respect to its specifications. In no event shall Slingco be liable for any direct, indirect, punitive, incidental, special consequential damages to property or life, whatsoever, arising out of or connected with the use or misuse of this product. This product is intended for use by qualified professionals having adequate knowledge of its proper use. June 2025 - v1.1