

## TRIPLEX DISPENSER SAFE OPERATION AND MAINTENANCE INSTRUCTIONS

SLINGCO PART NO. ZWM09903

### **⚠ ATTENTION**

**READ** and **UNDERSTAND** all of the instructions and safety information in this manual before operating or servicing this tool.

Failure to read and understand these warnings and safe handling instructions could result in severe personal injury or death.

**KEEP THIS MANUAL WITH TOOL.**

## SAFETY & MAINTENANCE



Pinch Point Warning



Not an Insulated Product



Safety Goggles Required



Hard Hat Required



Gloves Required

### ⚠ ATTENTION

**DO NOT** perform any service or maintenance on this tool other than described in this manual.

Read and follow the operator's manual before using this tool.

This manual should be kept available to all operating and maintenance personnel.

### WORK AREA SAFETY

1. Keep the area around the equipment clean and free of obstruction.
2. Bystanders should stay clear of the work area to ensure safety.

### PERSONAL SAFETY

1. Stay alert while using the equipment to prevent serious injury. Do not use under the influence of drugs, alcohol or medications.
2. Do not wear loose hair or clothes that may get caught while the equipment is in operation.
3. Work safely. Maintain your balance and do not reach while operating equipment.

### TOOL USE AND CARE

1. **DO NOT** use this tool if there are any abnormalities or damage to any of its components.
2. Inspect the tool before and after every use. Do not use this tool if it is damaged in any way. Ensure that all pins are secure.
3. When having the tool repaired, always use factory Slingco replacement parts. Tools must be serviced and/or repaired by Slingco or a factory authorized service center.

## CAPACITY

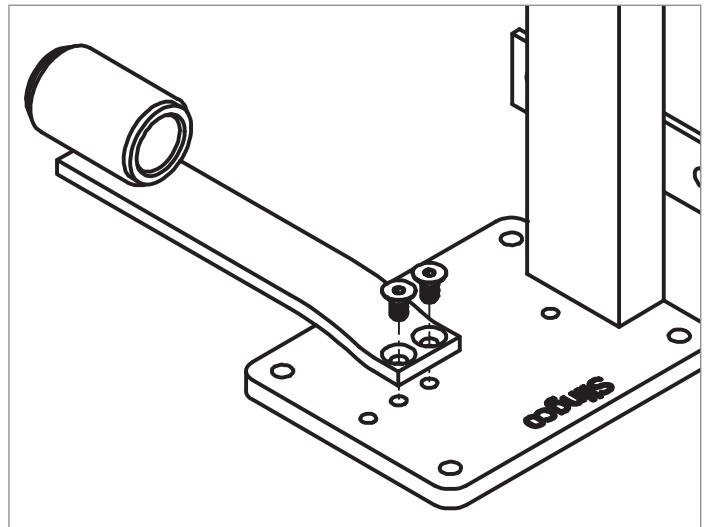
### Accepts Coils:

- **Outside Diameter:** 26" - 32"
- **Inside Diameter:** 14" - 20"
- **Coil Width Capacity:** 10.25"
- **Weight:** 54 lb
- **Repair Kit Part Number:** ZWM12698

## OPERATING INSTRUCTIONS

1. Before using this product, ensure that the dispenser base is securely mounted to the truck. Unit can be secured by using the four holes on the base or the four holes on the side.

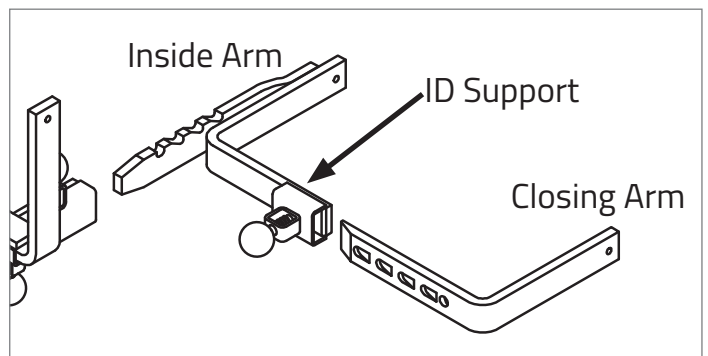
2. Next install the wire guide as pictured.



3. Before loading coil into dispenser, if coil is not already banded, band and tape ends.

4. Next measure the inside dimensions of the coil.

5. Install the four inside arms. Adjust the inside arms, making ID support portion of the arm the same diameter as the inside of the coil dimension.



---

6. Each inside arm should be an equal distance from the center hub.

---

7. Next place the coil onto the ID support of the inside arm. If necessary adjust the bottom inside arm in while loading the coil and then move back to original position adjusted from.

---

8. Now install the closing arms. They should fit tight against the coil.

---

9. Banding and tape can now be removed and triplex fed through the cable guide.

---

### **ADJUSTMENT OF BREAK TENSION**

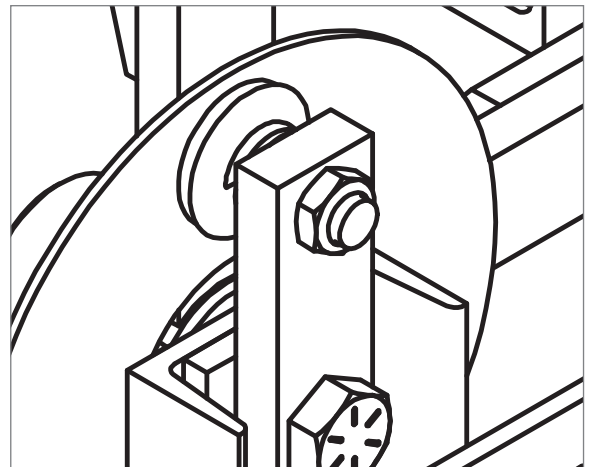
10. A 3/4" wrench is required for break adjustment. In order to slow the wire being dispensed, turn the 1/2" nut counter clockwise.

---

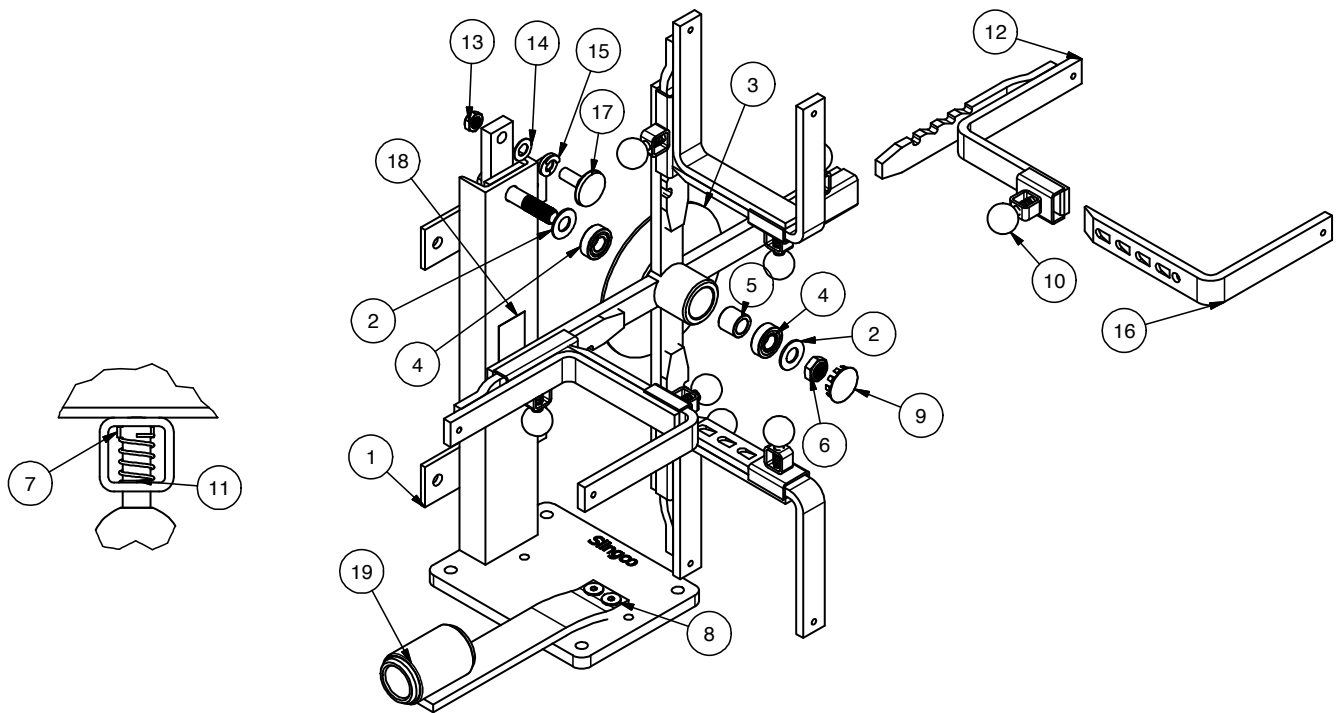
11. To increase the feed speed of the wire turn the 1/2" nut clockwise.

---

12. Proper tension must be maintained to ensure the dispenser does not free wheel. Tension will have to be adjusted as the capacity of the dispenser changes.



# TRIPLEX DISPENSER PARTS GUIDE



Item	Part Number	Description	Qty
1	WHD09177	Base Weldment	1
2	WSH09212*	5/8" SAE Flat Washer	2
3	WHD09204	Rotating Weldment	1
4	BEA09211*	Sealed Ball Bearing	2
5	SPA09209*	Spacer	1
6	HRD09210*	5/8"-11 Locknut	1
7	HRD09208*	9/64"x1/2" Spring Pin	8
8	FSC10521*	3/8"-16 UNC - 0.75" Long Screw	2
9	CAP09213*	Dust Cap	1
10	HAN09203*	Knob Assembly	8
11	SPG09215*	Spring	8
12	WHD09904	Inside Arm	4
13	HRD09906*	1/2"-13 Locknut	1
14	WSH09899*	1/2" Washer	1
15	SPG09900*	Silicon Steel Die Spring	1
16	WHD09905	Closing Arm	4
17	WHD09902*	Aint Rotation Screw	1
18	LAB09925	Label	1
19	WHD09915	Wire Guide Assembly	1
20	LAB10709	Break Adjustment Label	1

■ Note: All Slingco part numbers with a (\*) are included in ZWM12698 (repair kit).

## ATTENTION

**READ** and **UNDERSTAND** all of the instructions and safety information in this manual before operating or servicing this tool.

Failure to read and understand these warnings and safe handling instructions could result in severe personal injury or death.

**KEEP THIS MANUAL WITH TOOL.**

## WARNING

Cancer and Reproductive Harm [www.P65Warnings.ca.gov](http://www.P65Warnings.ca.gov)



**Slingco America, Inc.**  
3100 Jonquil Drive SE, Smyrna,  
GA 30080, USA  
TOLL FREE: 888 685 9478  
[sales@slingcoamerica.com](mailto:sales@slingcoamerica.com)

**888-685-9478**

**Slingco Limited**  
Gateway Business Park, New Hall Hey Road,  
Rawtenstall, BB4 6JG, England  
Tel: +44 [0]1706 855558  
[sales@slingco.com](mailto:sales@slingco.com)

**+44 [0]1706 855558**

**Slingco Australia Pty. Ltd.**  
L11, 1 York Street, Sydney,  
NSW 2000, Australia  
Tel: +61 3 8840 6556  
[sales@slingcoaustralia.com.au](mailto:sales@slingcoaustralia.com.au)

**+61 3 8840 6556**

**[slingco.com](http://slingco.com)**

Triplex Dispenser Maintenance Manual: MAN10827 – RevA Date July 2025

Slingco makes no warranty, express or implied, with respect to this product nor with respect to its specifications. In no event shall Slingco be liable for any direct, indirect, punitive, incidental, special consequential damages to property or life, whatsoever, arising out of or connected with the use or misuse of this product. This product is intended for use by qualified professionals having adequate knowledge of its proper use. July 2025 - v1.5